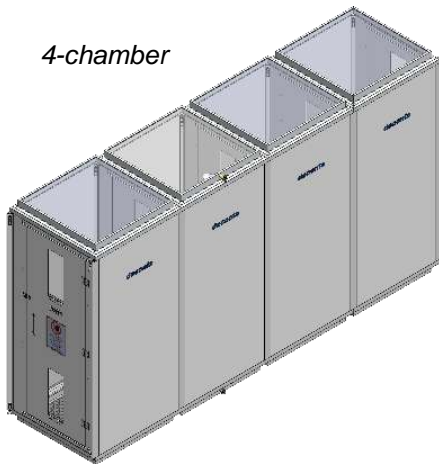


Operating instructions (original) Personnel lock ECO-LINE

3-chamber




4-chamber



5-chamber



	deconta GmbH Im Geer 20 46419 Isselburg	Phone: 02874/9156-0 Fax: 02874/9156-11 E-mail: info@deconta.com Web: www.deconta.com	Language: EN
			Version: 2
			Issue Date:
			10.01.2024

1	Product and manufacturer	4
1.1	Product.....	4
1.2	Manufacturer	4
1.3	Change index	4
2	About these operating instructions.....	5
2.1	Purpose.....	5
2.2	Availability	5
2.3	Warnings.....	6
2.3.1	Warning words and warning colours	6
2.3.2	Structure	6
2.4	Symbols	7
2.4.1	Warning sign.....	7
2.4.2	Instruction sign	7
3	Description.....	8
3.1	General description	8
3.2	Scope of delivery	8
3.3	Return delivery after termination of a lease	8
3.4	Operating modes.....	9
3.4.1	Available operating modes.....	9
3.5	Accessories.....	10
4	Technical data.....	12
4.1	Dimensions model 750.....	12
4.2	Dimensions model 900.....	12
4.3	Dimensions model 1000.....	12
4.4	Weights model 750.....	13
4.5	Weights model 900.....	13
4.6	Weights model 1000.....	13
4.7	Water connections.....	13
5	Security	14
5.1	Intended use	14
5.2	Misapplication	15
5.3	Notes on occupational health and safety	15
6	Transport.....	16
6.1	Loss of warranty claims	16
6.2	Transport.....	16
6.2.1	Transport space.....	16
6.2.2	Legislation	16
6.2.3	Qualification of the staff	16
6.2.4	Warning of residual risks.....	16
6.2.5	Means of transportation	17
7	Assembly.....	18

7.1	Preparation.....	18
7.2	Structure using the example of a 3-chamber airlock.....	18
7.3	Version with positive locking, make connections	23
8	Commissioning.....	25
8.1	Version without positive locking.....	25
8.2	Version with positive locking.....	25
8.2.1	Locking process.....	25
9	Spare parts.....	26
9.1	Model 750	26
9.2	Model 750 with positive locking	27
9.3	Model 900	28
9.4	Model 900 with positive locking	29
9.5	Model 1000	30
9.6	Model 1000 with positive locking	31
10	Maintenance.....	32
11	9 Possible faults and their rectification.....	32
12	Storage	32
12.1	Requirements.....	32
13	Disposal	33
13.1	Qualification of the staff.....	33
13.2	Legislation.....	33
14	EC Declaration of Conformity	34

1 Product and manufacturer

1.1 Product

This operating manual describes the following product:
ECO-LINE personnel lock.

1.2 Manufacturer

Name and address	deconta GmbH Im Geer 20 46419 Isselburg
	
Phone	02874/9156-0
Fax	02874/9156-11
E-mail	info@deconta.com
Internet	www.deconta.com

1.3 Change index

Date	Version	Change	Responsible
12.10.2023	2	complete revision	Thomas Boland

2 About these operating instructions

For proper and safe use of the personnel lock, follow the descriptions and recommendations for action in these operating instructions.

Keep these operating instructions for future reference until the airlock has been disposed of.

2.1 Purpose

These operating instructions contain information on the safe, trouble-free and economical use of the personnel lock.

This information is intended for persons who perform tasks with or in connection with the lock.

2.2 Availability

The operator shall make these operating instructions or extracts thereof available to persons who perform tasks with or in connection with the personnel lock gate.

The operator keeps these operating instructions or extracts thereof within easy reach in the immediate vicinity of the personnel lock.

When handing over the personnel lock gate to another person, the operator passes these operating instructions on to that person.





2.3 Warnings

These operating instructions may contain warnings of residual dangers.

The classification of the warnings is based on the severity of the damage that can occur if the warnings are disregarded and recommended actions are not followed.

2.3.1 Warning words and warning colours

Warnings are introduced with one of the following warning words and marked with a corresponding warning colour.

Warning word	Meaning	Warning colour
DANGER	Consequence for non-compliance: Death or most serious injuries.	
WARNING	Consequence for non-compliance: Death or most severe injuries possible.	
CAUTION	Consequence for non-compliance: Severe or minor injuries possible.	
NOTE	Consequence for non-compliance: Property damage or environmental damage possible.	
SAFE ACTIVITY	Implement the following action guide.	-

2.3.2 Structure

Warnings are structured according to the SAFE method:

S	Warning word (DANGER; WARNING, CAUTION or NOTE)
A	Nature and source of the hazard Description of the hazard and the cause of the hazard
F	Follow Description of the possible consequences for humans, animals and the environment that may occur as a result of the hazard.
E	Escape Recommendations for action on how to avoid hazards


2.4 Symbols

The following symbols are used in these operating instructions.

2.4.1 Warning sign

The warning sign is a safety sign that warns of a risk or danger.



The following table gives an overview of warning signs used and their meaning.

Symbol	Meaning	Symbol	Meaning
	General warning sign		

2.4.2 Instruction sign

The instruction sign is a safety sign that prescribes a certain behaviour.

The following table gives an overview of the instruction signs used and their meaning.

Symbol	Meaning	Symbol	Meaning
	Wear safety shoes		Use protective clothing

3 Description

This section contains information on understanding the lock.

3.1 General description

General description of the product

The lock was designed and built by deconta GmbH, Im Geer 20, 46419 Isselburg.

When carrying out remediation work inside closed rooms, it is important to exclude the possibility of pollutants leaving the remediation area in an uncontrolled manner and thus posing a risk to people and the environment.

For this reason, remediation areas are separated from the non-polluted areas and kept in dynamic negative pressure by means of Negative pressure units.

The ECO-LINE personnel airlock system was developed and built to enable people to enter and leave these rooms. It allows people to enter, leave and be cleaned without endangering the environment.

The personnel lock is designed according to the modular system and can be adapted to almost any requirement. Connecting roof and floor elements make it possible to expand the existing system at a later date and to continue using existing parts. An extension with any number of chambers is possible at any time.

3.2 Scope of delivery

The scope of delivery of the lock includes the following items:

- Personnel lock, number and size of chambers depending on design
- Connection cable (only for version with forced locking)
- Operating instructions

3.3 Return delivery after termination of a lease

For the protection of our customers and in terms of dangerous goods transport regulations, we must insist on the following return delivery conditions:

- As listed above
- Thoroughly cleaned (ready for use)
- Free from any adhesive residues
- Without residual fibre binding
- Without damage

3.4 Operating modes

3.4.1 Available operating modes

Type of use

The personnel lock is intended exclusively for use in the following types of use.

Use for other types of use is not in accordance with the intended use.

User groups


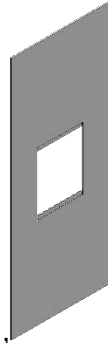
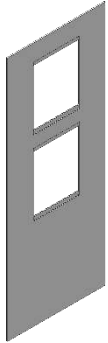

- Commercial users


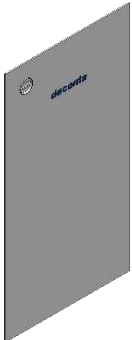
User environment

- outdoors
- on roofed areas
- in rooms closed on all sides

3.5 Accessories

The following accessories are optionally available for the ECO-LINE personnel airlock:

Designation	Item no.	Figure
Wall element with 1x connection at top or bottom	Model 750 BO17026	
	Model 900 BO17028	
	Model 1000 BO16916	
Wall element with 1x connection in the middle	Model 750 BO17577	
	Model 900 BO17539	
	Model 1000 BO17197	
Wall element with 2x connection top or bottom and centre	Model 750 BO17581	
	Model 900 BO17515	
	Model 1000 BO17537	
Wall element with 2x connection top and bottom	Model 750 BO17579	
	Model 900 BO17541	
	Model 1000 BO17229	

Designation	Item no.	Figure
Wall with hose connection	Model 750 BO1899d	
	Model 900 BO1899	
	Model 1000 BO1899a	
Wall with supply air flaps	Model 750 ---	
	Model 900 ---	
	Model 1000 BO1899b	

4 Technical data

4.1 Dimensions model 750

	Length x width x height (mm)
Single chamber	750 x 750 x 2000
3-chamber	2250 x 750 x 2000
4-chamber	3000 x 750 x 2000
5-chamber	3750 x 750 x 2000

4.2 Dimensions model 900

	Length x width x height (mm)
Single chamber	900 x 900 x 2000
3-chamber	2700 x 900 x 2000
4-chamber	3600 x 900 x 2000
5-chamber	4500 x 900 x 2000

4.3 Dimensions model 1000

	Length x width x height (mm)
Single chamber	1000 x 1000 x 2000
3-chamber	3000 x 1000 x 2000
4-chamber	4000 x 1000 x 2000
5-chamber	5000 x 1000 x 2000

4.4 Weights model 750

	Weight (kg) without transport device
Single chamber	approx. 60
3-chamber	approx. 150
4-chamber	approx. 195
5-chamber	approx. 240

4.5 Weights model 900

	Weight (kg) without transport device
Single chamber	approx. 70
3-chamber	approx. 180
4-chamber	approx. 230
5-chamber	approx. 285

4.6 Weights model 1000

	Weight (kg) without transport device
Single chamber	approx. 80
3-chamber	approx. 200
4-chamber	approx. 260
5-chamber	approx. 320

4.7 Water connections

Fresh water connection (roof element) Geka ½"

Waste water connection (floor element) Geka ¾"

5 Security

This section contains information on the protection of humans, domestic and farm animals and the environment.

5.1 Intended use

The personnel lock is intended exclusively for the following use:

Intended use

When carrying out remediation work inside closed rooms, it is important to exclude the possibility of pollutants leaving the remediation area in an uncontrolled manner and thus posing a risk to people and the environment.

For this reason, remediation areas are separated from the non-polluted areas and kept in dynamic negative pressure by means of Negative pressure units.

The ECO-LINE personnel airlock system was developed and built to enable people to enter and leave these rooms. It enables people to enter, leave and be cleaned without endangering the environment.

The user must comply with the operating parameters specified in the operating instructions. The personnel lock may only be used in accordance with its intended purpose. Any other use beyond this is not in accordance with the intended use. The user is liable for any damage or injuries of any kind resulting from such use.

5.2 Misapplication

The use of the lock for the following purposes is not permitted:

Reasonably foreseeable misuse

- Any application other than that described in the operating instructions
- Any use of the personnel lock gate other than that described under "Intended use" without the written consent of the manufacturer.
- Operation outside the technical limits of use
- Unauthorised modifications or conversions as well as manipulation
- Use, installation, operation, maintenance or repair in a manner other than described
- Carrying out work by unqualified personnel
- Use of unsuitable or incompatible materials, operating or auxiliary materials or accessories.
- Non-compliance with safety and operating instructions, occupational health and safety or accident prevention regulations or relevant statutory regulations.
- Failure to promptly rectify faults that may affect safety
- Use of other than original spare parts or accessories that are not equivalent in quality and function.
- Operating the personnel lock in a technically unsound condition, not being aware of safety and hazards and not observing all instructions in the documentation.
- The use of the airlock in potentially explosive atmospheres

5.3 Notes on occupational health and safety

The operator of the lock is responsible for the implementation of the occupational health and safety obligations. The occupational health and safety regulations of the country in which the lock is used apply.

The duties include, but are not limited to, the following:

- Provide these operating instructions or extracts to persons who carry out tasks with or in connection with the personnel lock gate.
- Make the applicable documents available to these persons
- Instruction of the persons with regard to the intended use and misuse
- Instruction of persons with regard to protective devices and supplementary protective devices
- Instruction of persons with regard to residual risks

This list is not exhaustive and does not claim to be complete.

6 Transport

This section contains information on transporting the lock.

Transport is the change of location of the lock by manual or technical means.

6.1 Loss of warranty claims

The manufacturer's warranty will expire in the following cases:

- In the event of changes to the personnel lock gate that have not been agreed with the manufacturer
- If the transport is not carried out properly

6.2 Transport

6.2.1 Transport space

In the process, the airlock is transported from one place of use to another.

6.2.2 Legislation

The transport of the lock is carried out in accordance with the legislation of the country in which the lock is transported.

6.2.3 Qualification of the staff

Persons transporting the lock must meet the following requirements:

Person	Required qualification
Freight forwarder	Completed training in transport and experience in transport
Logistician	Completed training and experience in transport

6.2.4 Warning of residual risks



Crushing hazard: Wear safety shoes to protect against running over limbs.

6.2.5 Means of transportation

For safe transport, a means of transportation is required that meets the following requirements:

- The load-bearing capacity must be dimensioned in such a way that the mass of the lock can be safely accommodated.
- The size of the transport surface must be such that the personnel lock can be safely placed on the transport surface without falling off.



Falling down of the lock possible due to unintentional change of position when loading and unloading onto / from a means of transportation.

7 Assembly

This section contains information on the safe assembly of the lock.

If there is visible damage, do **not put** the lock into operation. Contact deconta GmbH immediately.

7.1 Preparation

Before the assembly of the lock:

- Determine the exact location and floor plan
- the substrate must be level and clean

7.2 Structure using the example of a 3-chamber airlock

Place the floor elements flat in front of each other and insert the floor grates.

If the footprint is uneven, at least 2 squared timbers with a minimum cross-section of 10 x 10 cm should be placed underneath and aligned along the entire length.



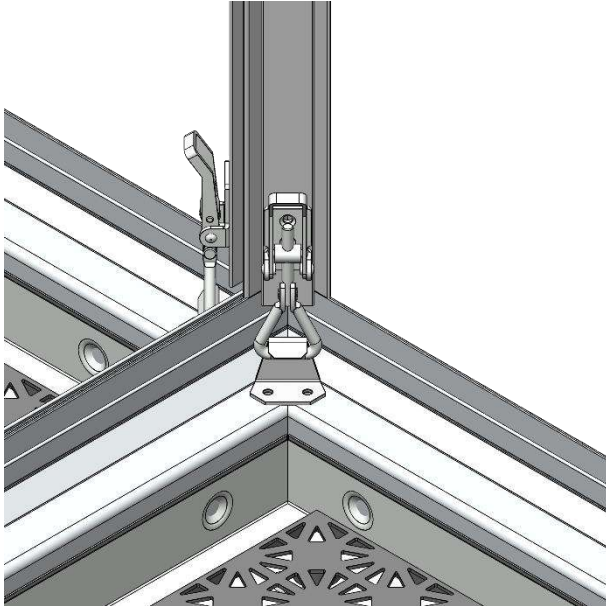
HINWEIS

The Geka waste water connection of the shower enclosure should have the shortest path to the Water treatment to avoid unnecessary hose and cable lengths.

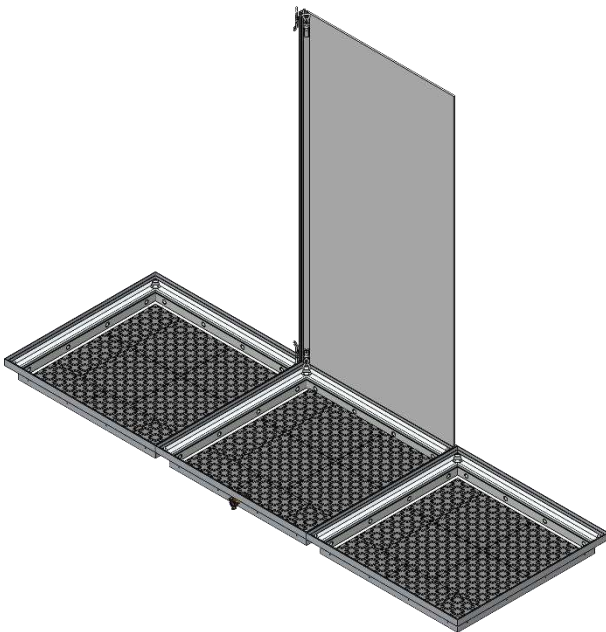
The mounting angles of the floor pan must be cleaned before inserting the door and side elements!

Load capacity of the individual floor elements: max. 150 kg

Insert a corner profile at the connecting corner of two floor panels into the mounting brackets and brace the quick-release fasteners attached to the ends of the corner profiles with the floor panels.



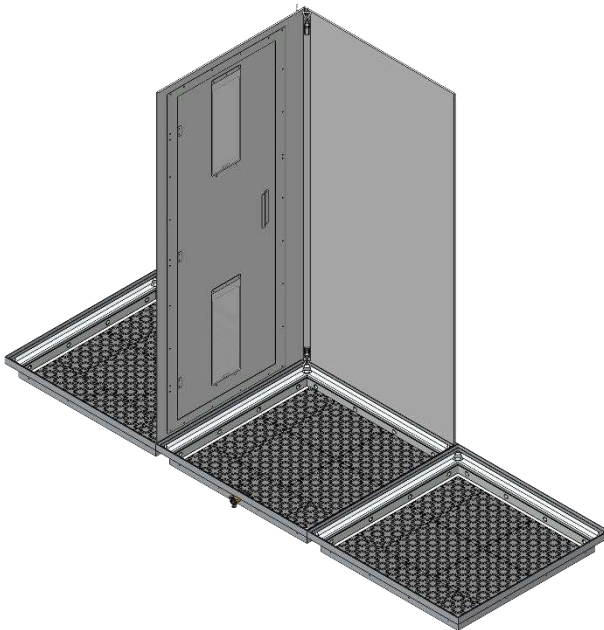
Insert the wall element into the mounting angles of the floor element and the corner profile.



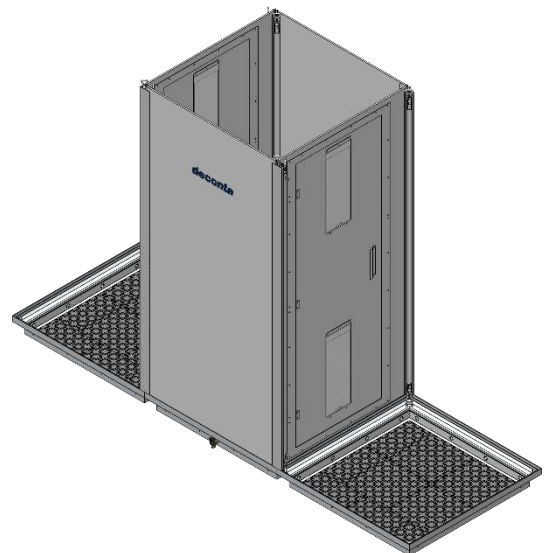
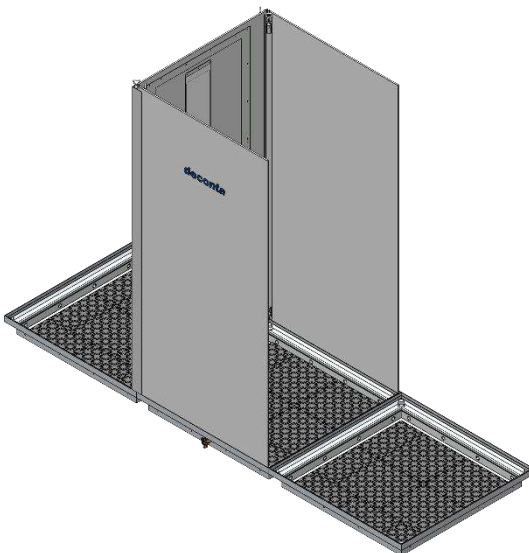
Insert the door element into the mounting angles of the floor element and the corner profile.

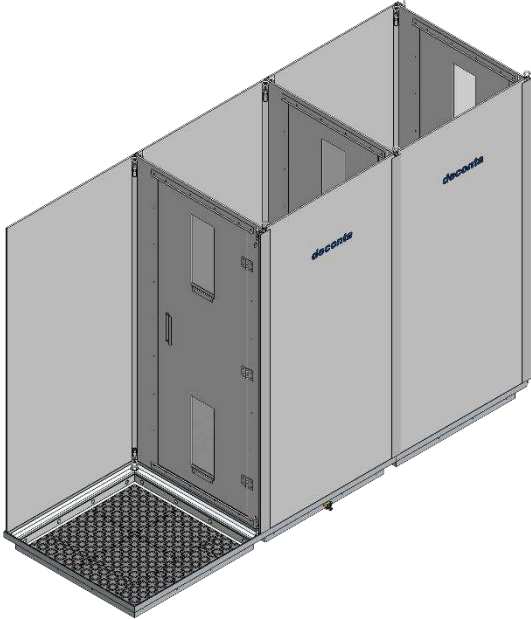
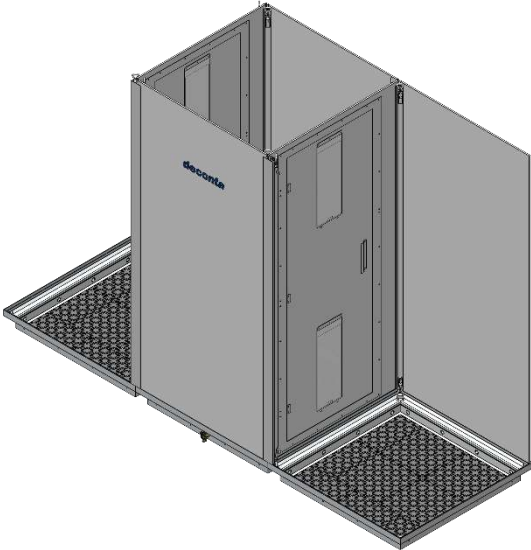
HINWEIS

To prevent the shower water from leaking, make absolutely sure that the door elements to the shower are mounted in the receiving profile of the shower base!



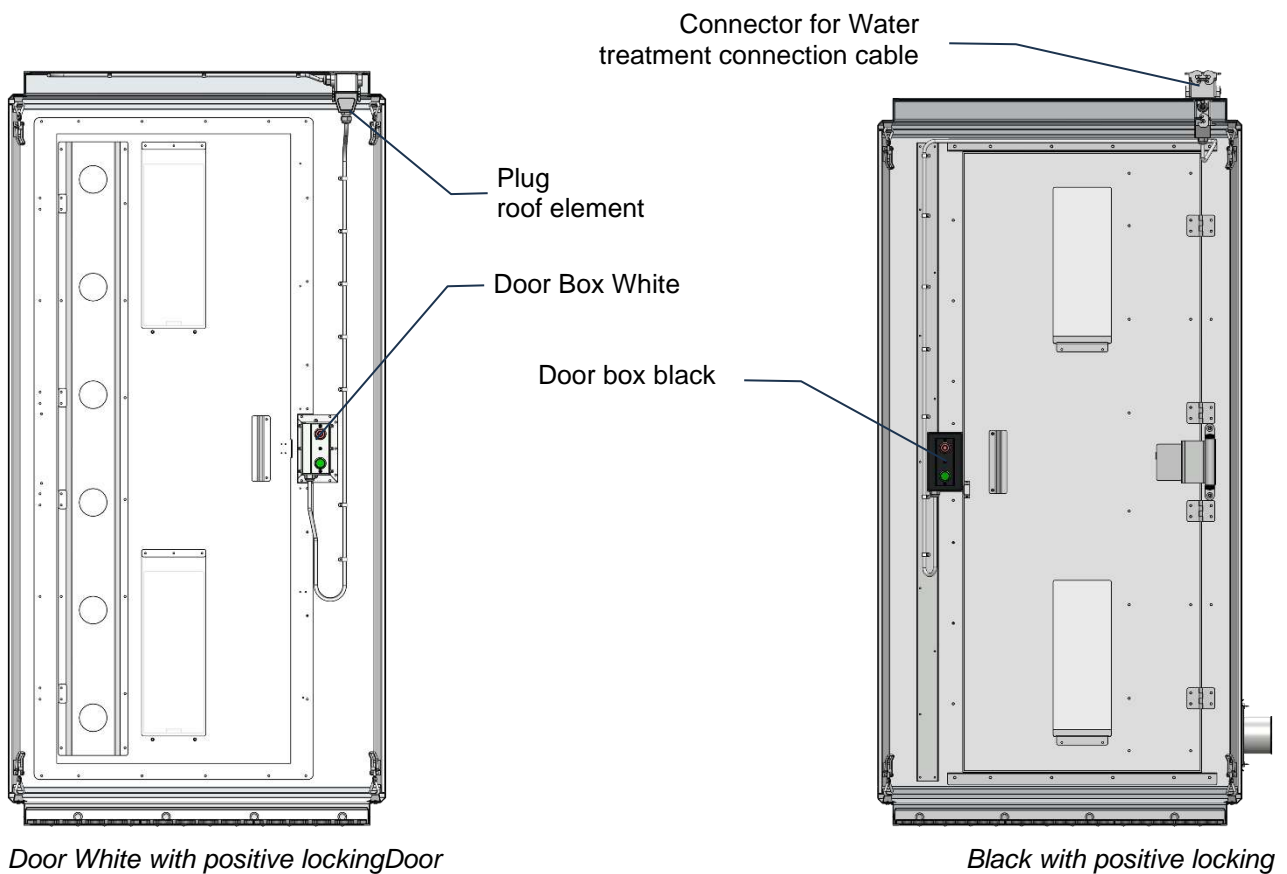
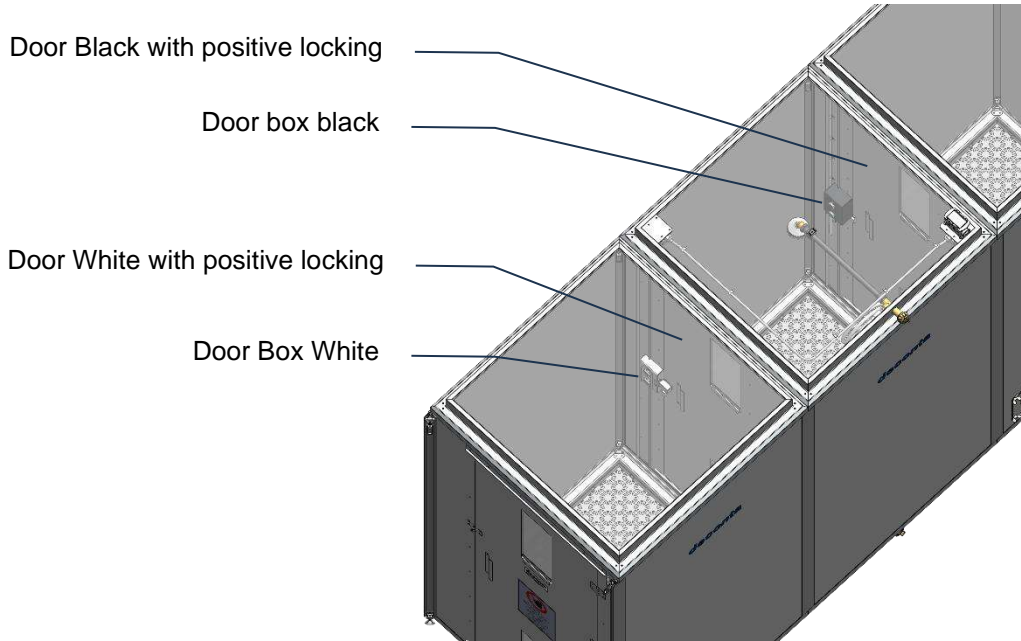
The following pictures show the further construction.







7.3 Version with positive locking, make connections



- Plug the cables of the two door boxes (white and black) into the plugs of the roof element.
- Plug in the connection cable between the deconta Water treatment (with integrated control forced locking) and the roof element.

8 Commissioning

8.1 Version without positive locking

If available, switch on Water treatment (see Water treatment instructions).

The rehabilitation area can now be entered and exited through the airlock.

8.2 Version with positive locking

Switch on a connected deconta Water treatment with forced locking control (see Water treatment instructions).

8.2.1 Locking process

Entering the renovation area through the airlock, no activation of the shower and the positive locking takes place.

- Press the green button on the white door box, the door opens.
- Enter shower room
- Close door
- Press the green black button on the door box, the door opens.
- Leave the shower cubicle and close the door

Leaving the work area through the airlock, activation of the shower and the positive locking takes place here.

- Press the green black button on the door box, the door opens.
- Enter shower room
- Close door
- the shower is activated for a preset time of 90 seconds
- After finishing the shower, press the green button on the door box white, the door opens.
- Leave the shower room and close the door

HINWEIS

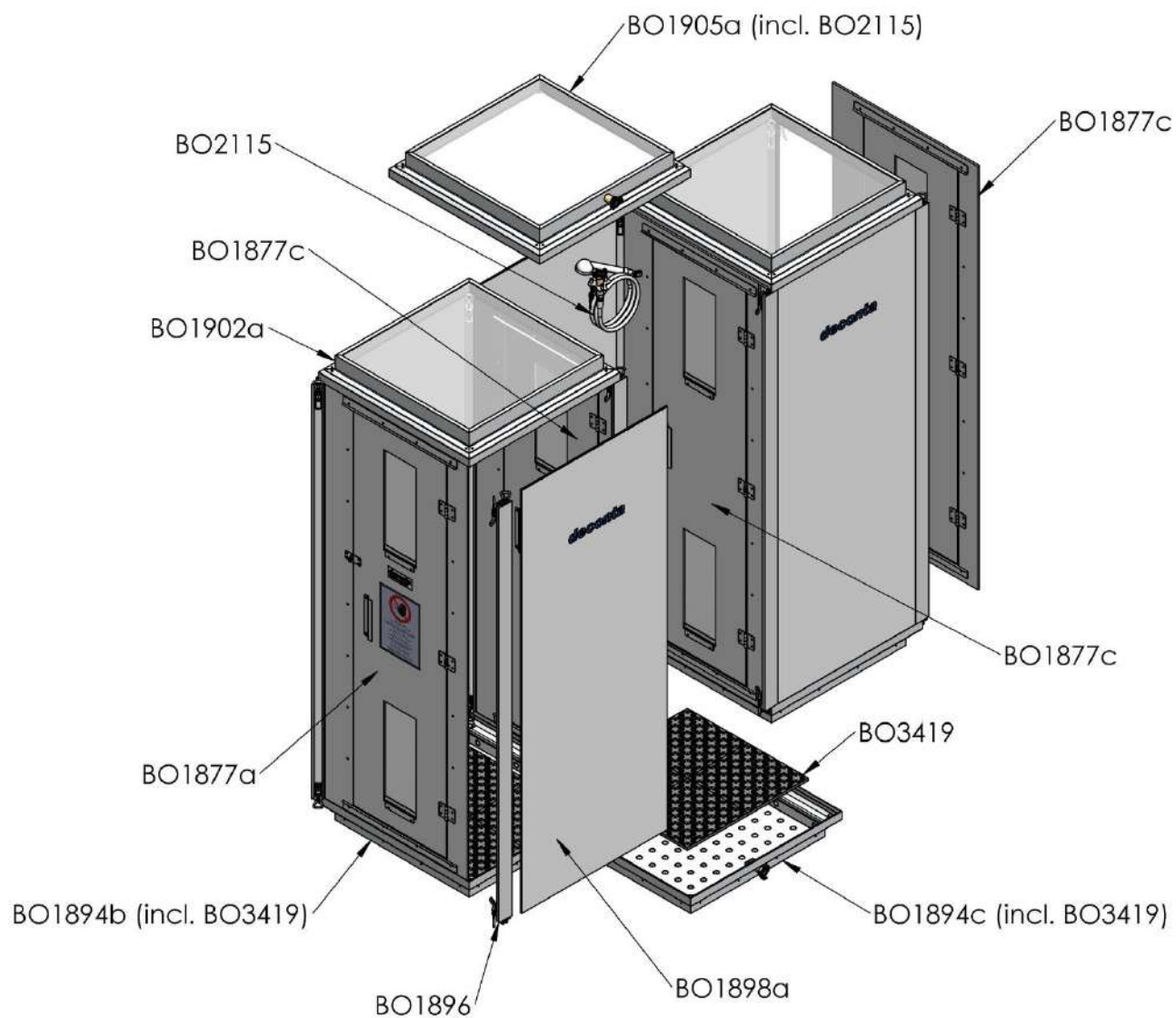
To enable premature exit from the shower chamber when the positive locking is activated, both the white and the black door boxes are equipped with an emergency stop button (red button). Pressing the red button unlocks the doors and an acoustic alarm sounds.



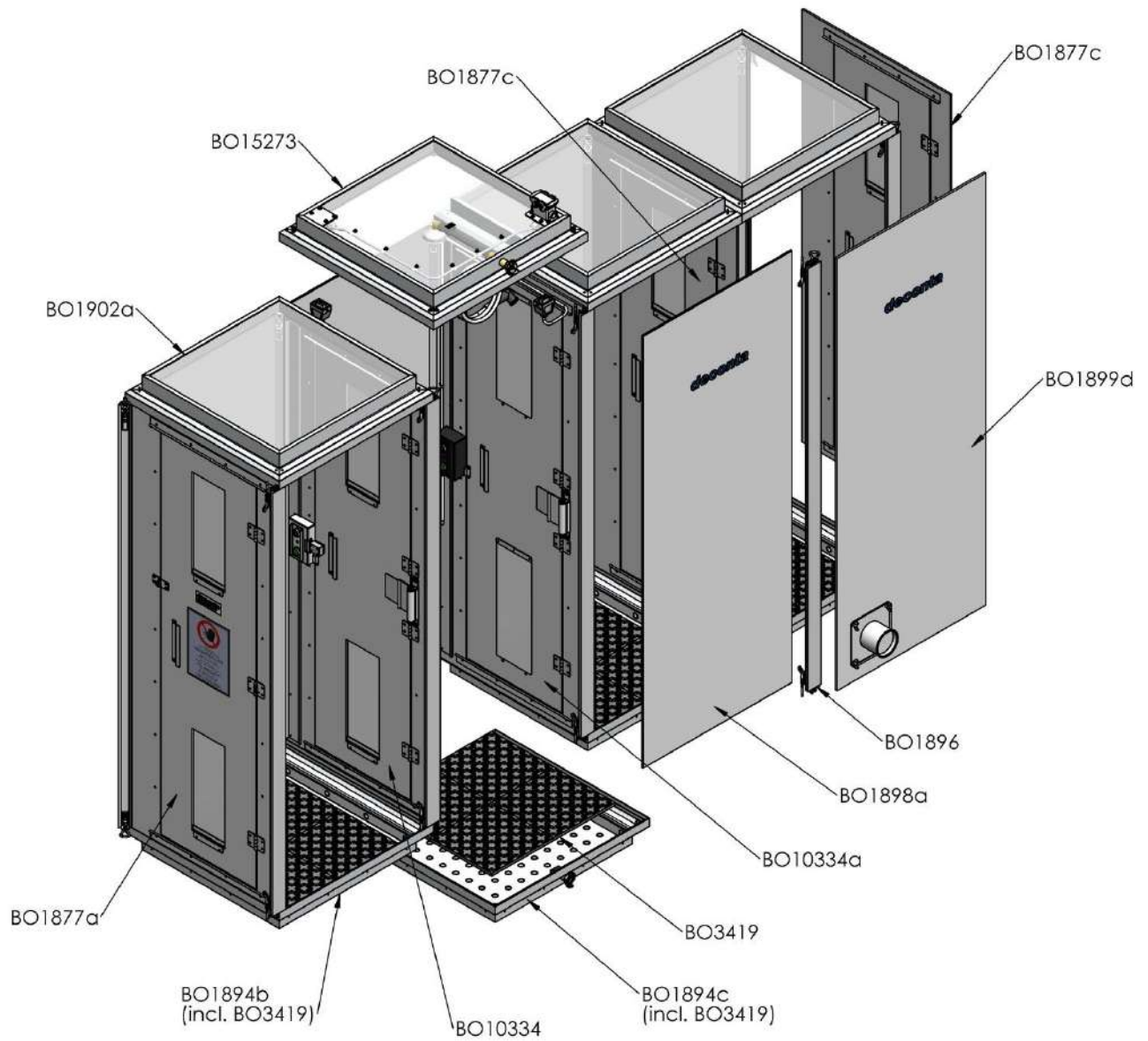
9 Spare parts

For safe, trouble-free and economical use of the personnel locks, original spare parts should be used.

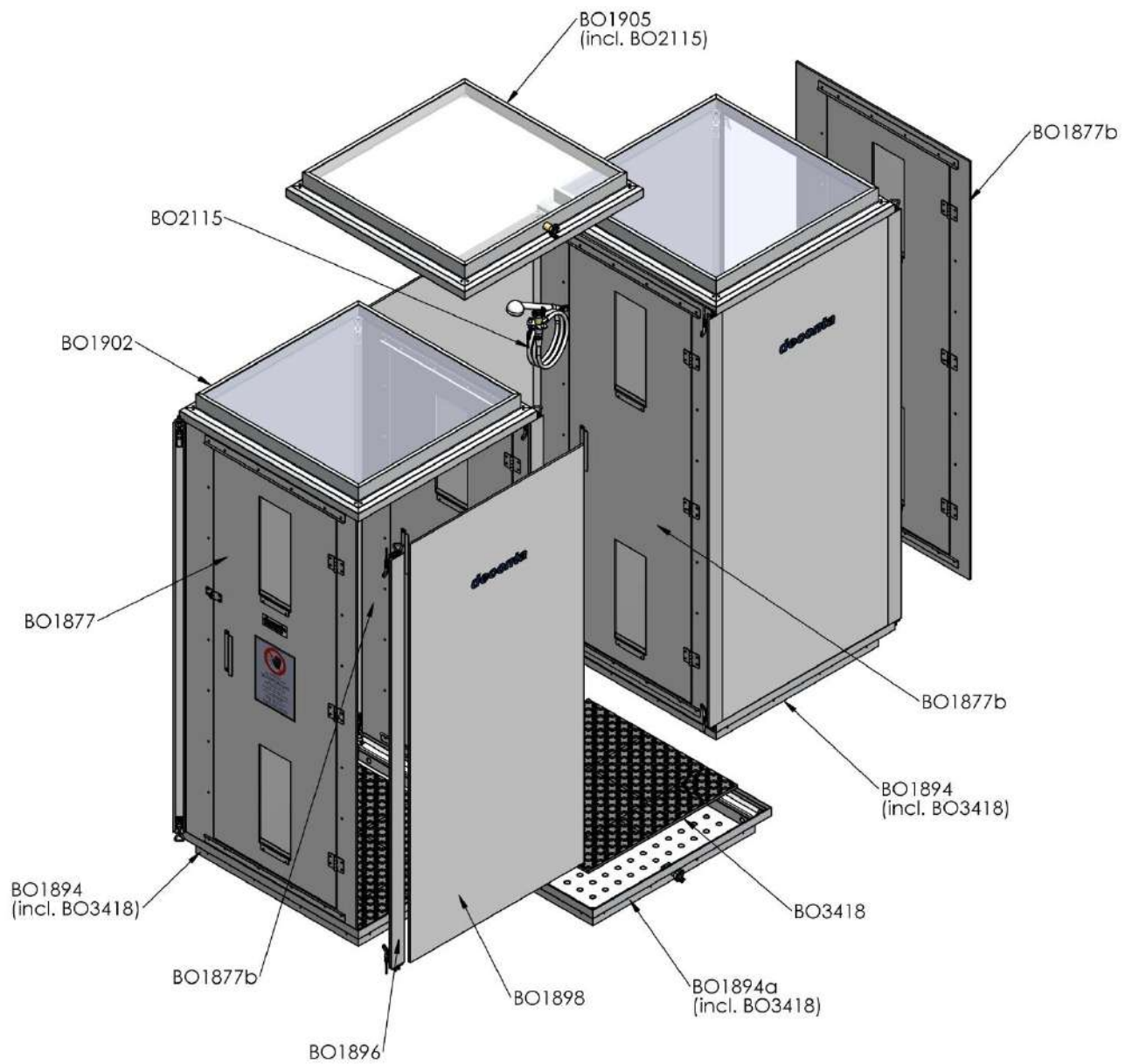
9.1 Model 750



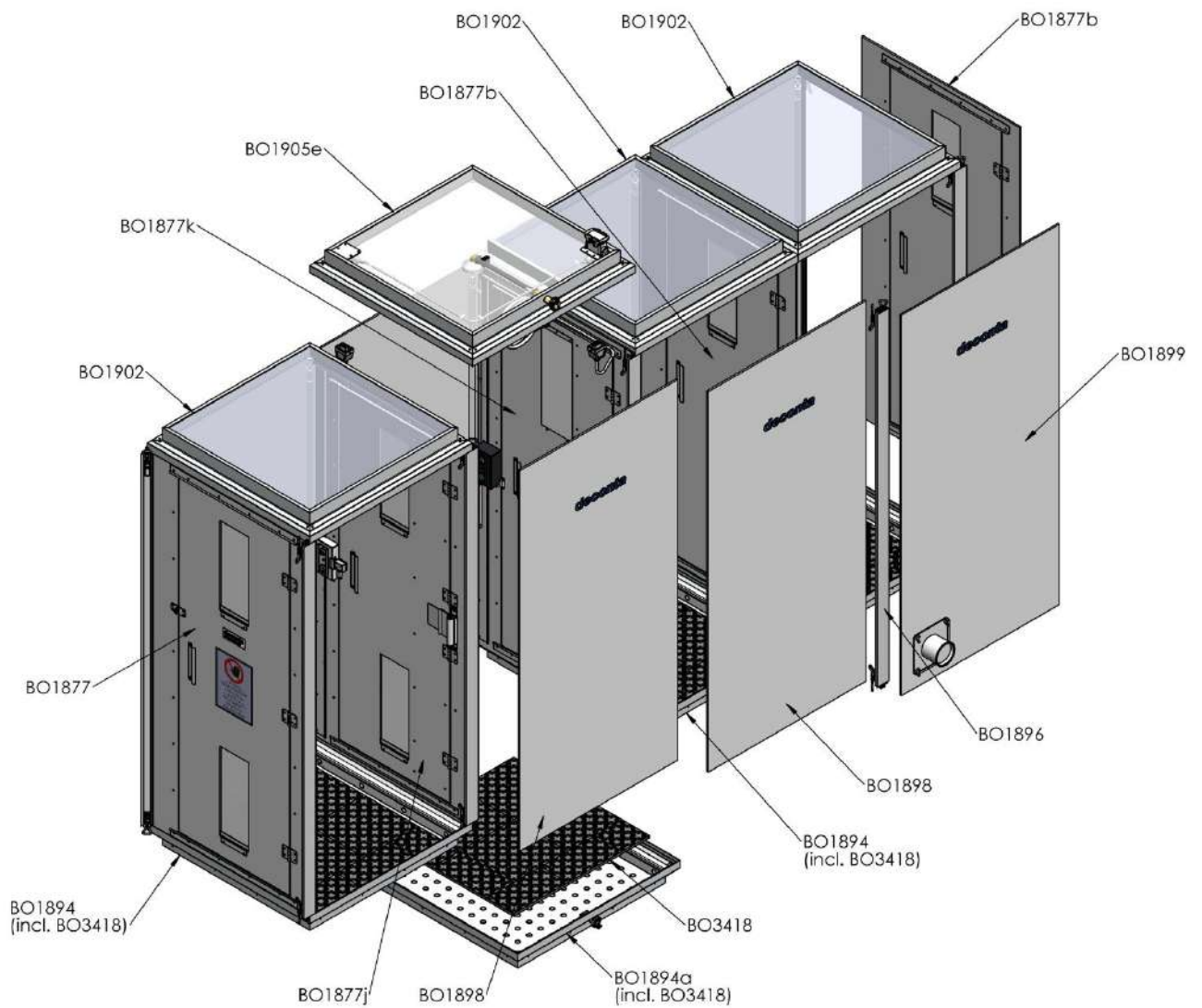
9.2 Model 750 with positive locking



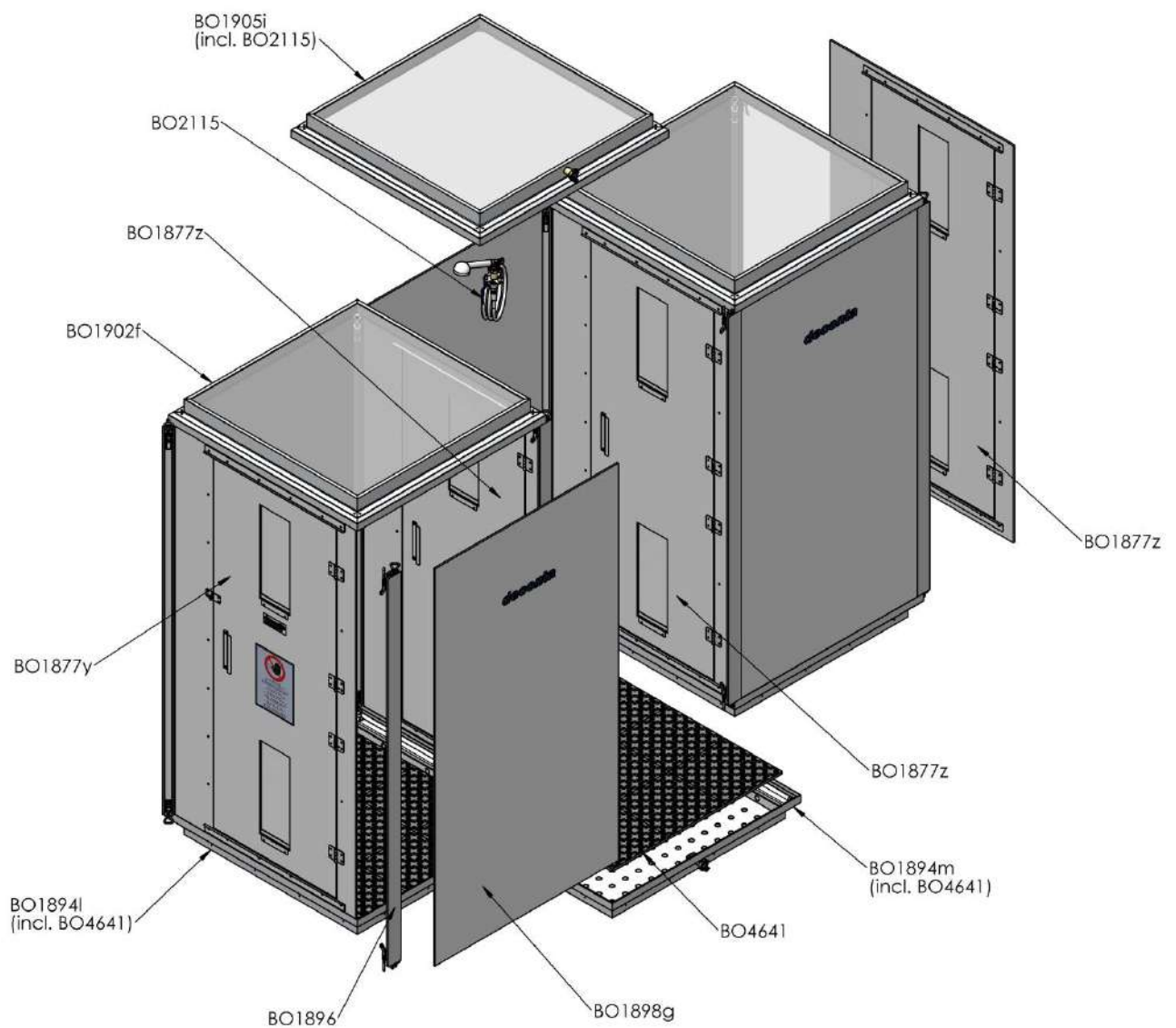
9.3 Model 900



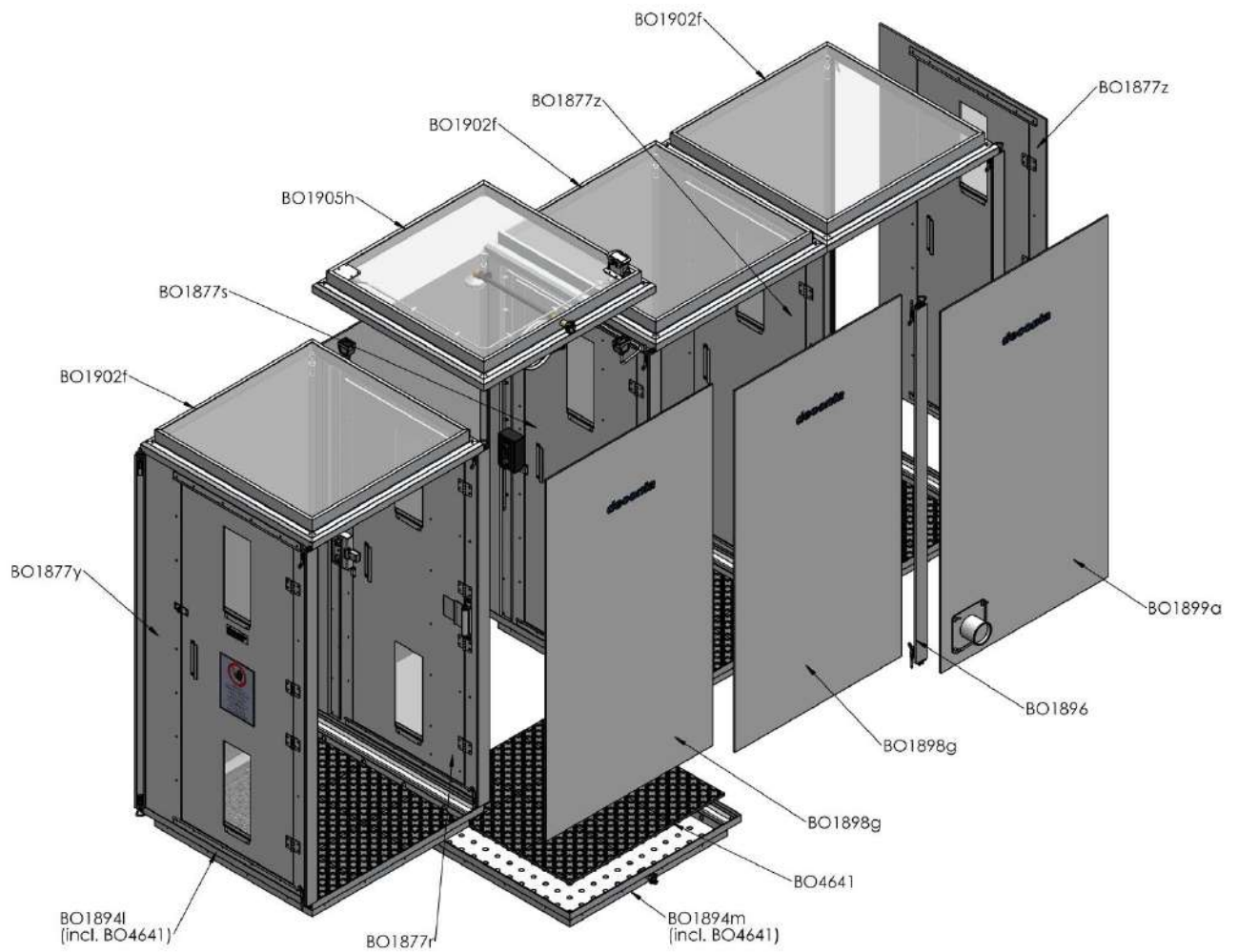
9.4 Model 900 with positive locking



9.5 Model 1000



9.6 Model 1000 with positive locking



10 Maintenance

daily maintenance

- Checking the water pipes for free flow
- Clean personnel lock area daily
- Damp clean the airlocks carefully at the end of each shift.
- Checking the bottom elements for free flow

Commercially available household cleaners can be used for cleaning and care.

11 9 Possible faults and their rectification

Malfunction	possible cause	Remedy
Shower water in the next room	Shower door(s) fitted in the wrong floor pan	Correct incorrect assembly
Difficulties in mounting wall and floor elements	Shooting angles are dirty	Clean shooting angle
Difficulties in mounting wall and floor elements	Shooting angles are bent	Straighten shooting angle
Tension locks too loose	Tensioning length incorrectly adjusted	readjust
Tension locks too tight	Tensioning length incorrectly adjusted	readjust

12 Storage

This section contains information on the safe storage of the lock.

The lock is stored in the following cases:

- After decommissioning for a longer period of non-use
- After a decommissioning for a site relocation

12.1 Requirements

The following requirements must be met for storing the lock:

- Thoroughly cleaned (decontaminated)
- to avoid damage, the personnel lock may only be stored in dry rooms that are inaccessible to unauthorised persons

We expressly refer to possible additional regional and national regulations when storing the appliance technology.

13 Disposal

Disposal is the capture, collection, forming, selection, processing, regeneration, destruction, recycling and sale of the materials to be disposed of, which are installed in the airlock.

This section contains information on the proper and professional disposal of the personnel lock.

13.1 Qualification of the staff

Persons disposing of the personnel lock must meet the following requirements:

Person	Required qualification
Disposer	Qualified waste management company for legally compliant, proper and professional disposal of the airlock

13.2 Legislation

Disposal of the personnel lock is carried out in accordance with the legislation of the country in which the airlock is disposed of.

Compliance with these legal regulations is generally the responsibility of the operator of the airlock or the person in charge of disposal.

14 EC Declaration of Conformity

The manufacturer

deconta GmbH
Im Geer 20
46419 Isselburg

hereby declares that the following product

Product designation: Personnel airlock ECO-Line Model 750 / 900 / 1000
Trade name: Personnel lock ECO-Line

Description:

Modular personnel airlock for separation between black and white areas. Any number of chambers can be interconnected without special components and without tools.

complies with all relevant provisions of the applicable legal regulations (hereinafter) including their amendments in force at the time of the declaration. The sole responsibility for issuing this declaration of conformity lies with the manufacturer.

The following legislation was applied:

RoHS Directive 2011/65/EU

The following harmonised standards were applied:

EN IEC 63000:2018 Technical documentation for the evaluation of electrical and electronic equipment with regard to the restriction of hazardous substances (IEC 63000:2016).

Place: Isselburg

Date: 11.09.2023



Leiter Konstruktion / head of construction



Leiter Elektro / head of electro